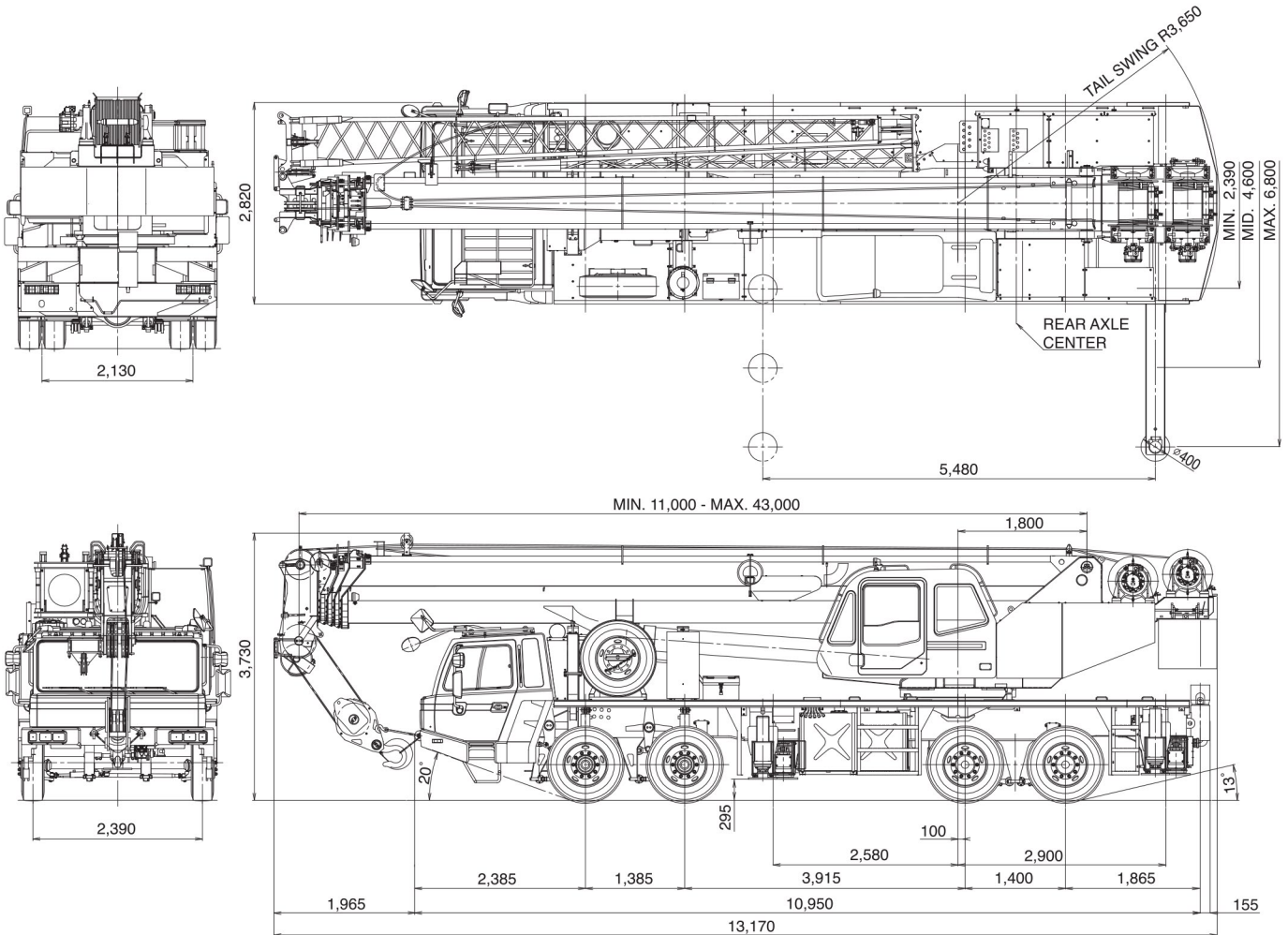


DIMENSIONS



Axle weight distribution chart

		Kilograms		
		Total	Front	Rear
Base machine with 300L fuel * incl. 35 t hook block (optional)		41,500	16,000	25,500
Remove	1 5.6 t hook block	-150	75	-225
	2 Top jib (6.4m)	-225	-200	-25
	3 Base jib (8.8m)	-500	-550	50
	4 Single top (Auxiliary boom sheave)	-50	-100	50
	5 Spare tire	-125	-110	-15
	6 Spare tire bracket	-25	-20	-5
	7 35 t hook block (optional)	-410	-700	290
	8 Counter weight and pins	-4,380	1,960	-6,340
Add.	1 60 t hook block (optional)	570	970	-400
	2 2 persons (driver and passenger)	150	200	-50
Permissible axle load		42,150	16,480	25,670

DIMENSIONS

