



MAC 25-4
25 Tonne Lifting Capacity
Pick & Carry Crane
Datasheet
Metric

MAC 25-4

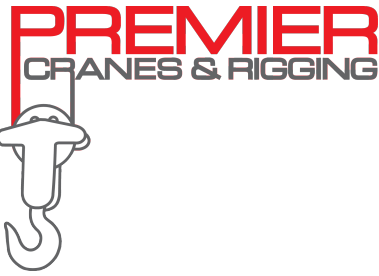


Features: MAC 25-4

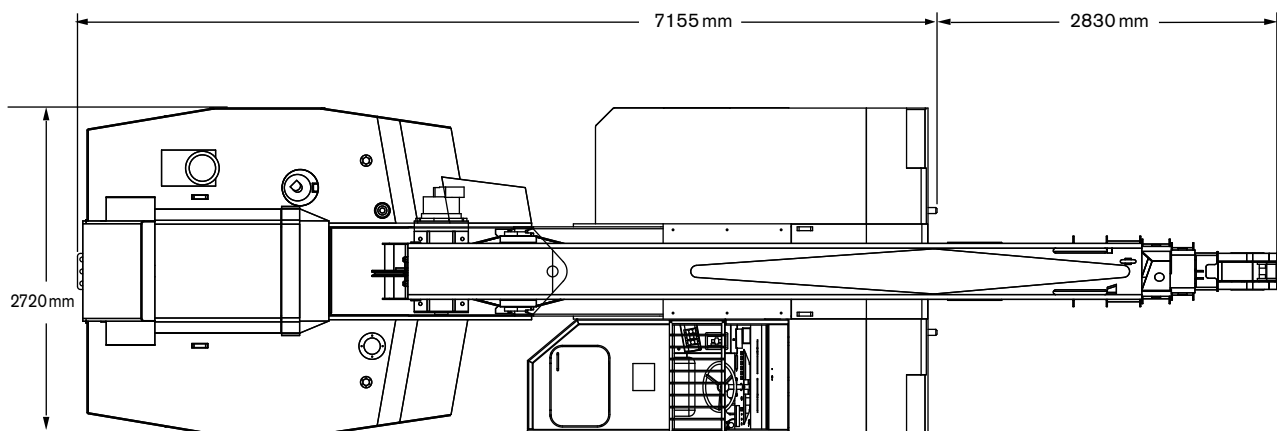
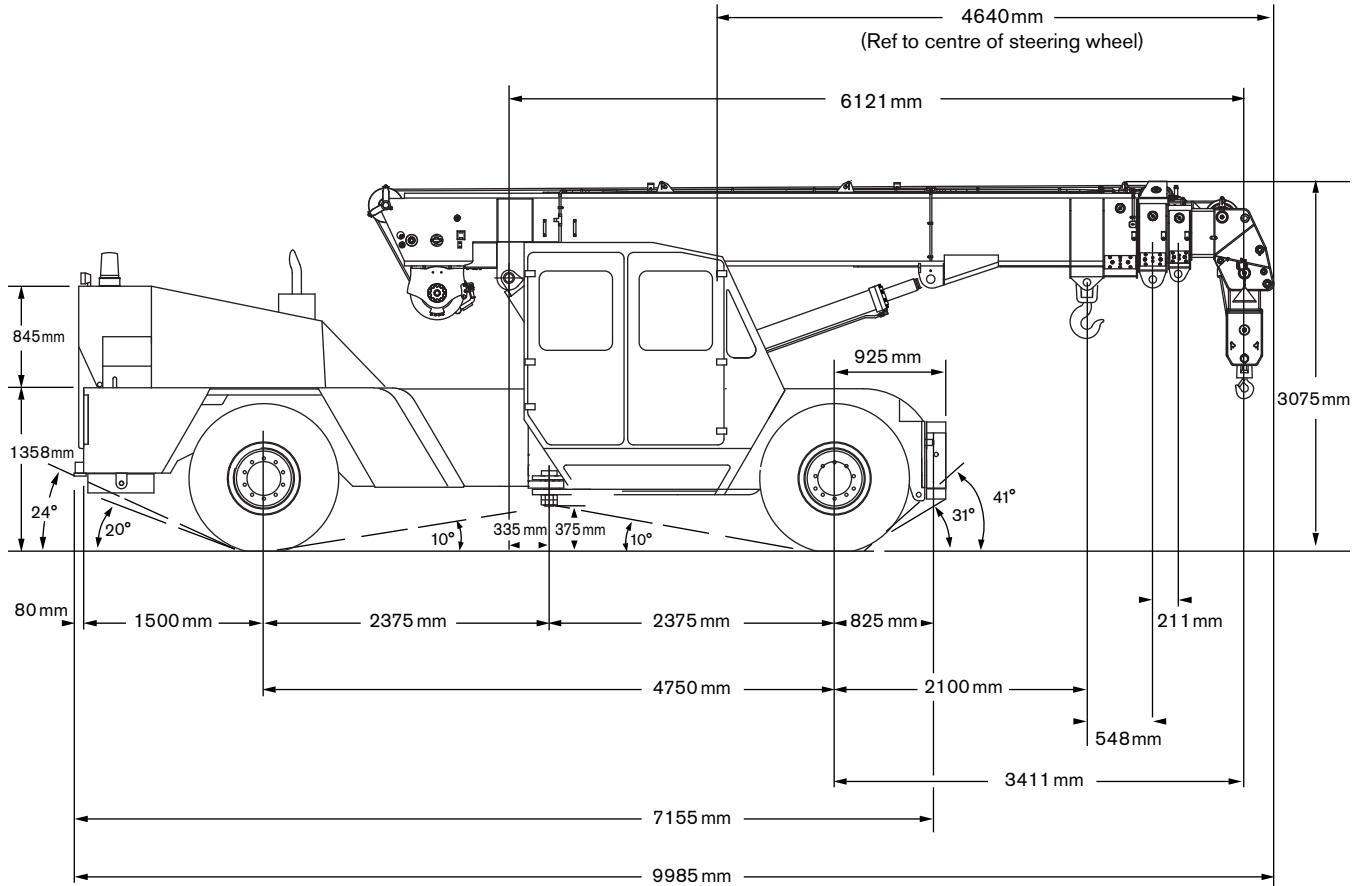
- ▶ 25 tonne at 1.41 m radius
- ▶ 1.8 tonne at 15.71 m radius
- ▶ 18 m maximum hook height
- ▶ Hook block (6 parts) capacity 25 tonne
- ▶ Single line 4.2 tonne

DIMENSIONS

Crane Dimensions

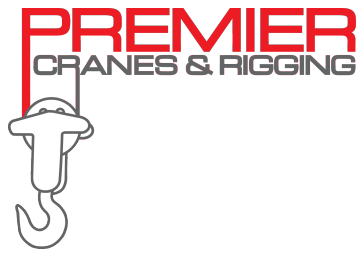


MAC 25-4

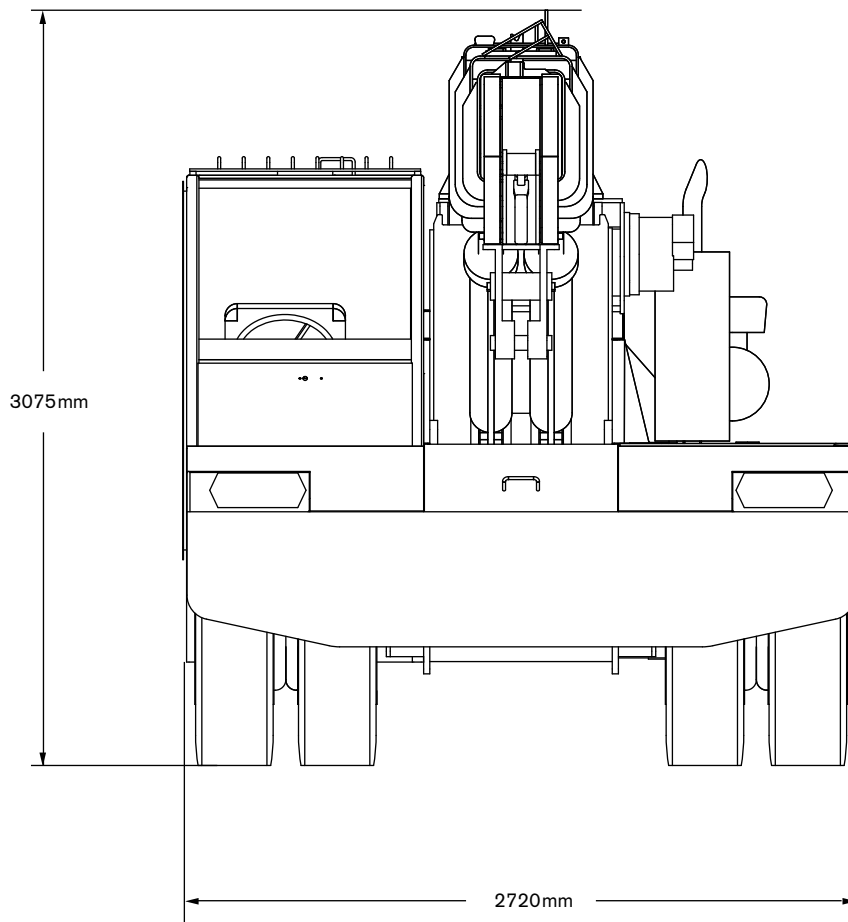


DIMENSIONS

Crane Dimensions



MAC 25-4



AREA OF OPERATION



MAC 25-4

